

**OM025**

FGD10/30.1 O-AE2

# **FORKLIFT TRUCK**

**FD10/14/15/18-14**

**FD15H/18H-14**

**FG 10/14/15/18-14**

**FG1 OH/15H/18H-14**

**FG1 OS/155/185-2**

**FD20/25/30-1 o**

**FD20S/25S/30S-s**

**FD20H/25H/30H-s**

**FG20/25/30-s**

**FG20S/25S/30S-4**

**FG20H/25H/30H-s**

**KOMATSU FORKLIFT USA**



Unit (XXA)	Applicable Machine No.	Unit (XXB)	Applicable Machine No.
FD10/14/15/18	140001 and up	FD20/25/30	220001 and up
FD15H/18H	170001 and up	FD20S/25S/30S	181001 and up
FG10/14/15/18	120001 and up	FD20H/25H/30H	210001 and up
FG10H/15H/18H	160001 and up	FG20/25/30	130001 and up
FG10S/15S/18S	180001 and up	FG20S/25S/30S	170001 and up
		FG20H/25H/30H	200001 and up

Name: \_\_\_\_\_

Address: \_\_\_\_\_

Machine serial No.: \_\_\_\_\_

Registration No.: \_\_\_\_\_

Distributor's name

Contact person



# FOREWORD

Thank you for purchasing this Komatsu machine.

This manual describes procedures for operation, handling, lubrication, maintenance, checking, and adjustment. It will help the operator realize peak performance through effective, economical and safe machine operation.

- Please read this manual carefully BEFORE operating the machine.
- Please continue studying this manual until proper operation is completely reinforced into personal habit.



... Sections headed by this symbol are important points related to safety.

The instructions given must be followed at all times without fail.

- ★ ... Sections headed by this symbol are points related to operation or maintenance. When driving, operating work equipment or maintaining the machine, pay careful attention to the instructions given.

**This manual describes principally the handling of trucks, daily inspections and simple periodic maintenances. The Operation and Maintenance Manual has been divided into two volumes, one dealing with operation and the other dealing with safety. Please read through both volumes for safe operation.**

BREAKING IN YOUR NEW MACHINE

## BREAKING IN YOUR NEW MACHINE

Each machine is carefully adjusted and tested before shipment. However, a new machine requires careful operation during the first 100 hours to run in various parts. Unreasonable hard use during the run-in period will weaken the machine and reduce its service life. **A new machine must be operated with care,** particularly with regard to the following items.

- After starting the engine, run the engine to warm it up thoroughly before starting operation.
- Do not accelerate the engine unnecessarily during warming up operation.
- Avoid abrupt starting, acceleration, unnecessarily abrupt braking and sharp turning.
- Be sure to perform periodical maintenance and checking as indicated in this manual.
- Be sure to use recommended fuel and lubricant.
- Carry out the following maintenance and inspection after the first one month or 200 hours.

Component	Check item	Remarks
Engine	Change oil	
	Replace oil filter element	
	Tighten cylinder head bolts	*
	Adjust valve clearance	*
TORQFLOW transmission	Change oil Clean strainer	TORQFLOW trucks only
Differential	Change oil	
Hydraulic tank	Change oil	
	Replace line filter	
	Clean strainer	
	Clean inside of tank	
Others	Tighten all bolts and nuts	Be particularly careful to tighten the hub nuts, overhead guard mounting bolts, backrest mounting bolts, and operator's seat mounting nuts.

Please ask your Komatsu Forklift Distributor to carry out the items marked \*

# CONTENTS

<b>OPERATION</b>	
FOREWORD .....	1
BREAKING IN YOUR NEW MACHINE .....	2
BEFORE OPERATING FORKLIFT .....	4
<b>XXA:</b>	
GENERAL LOCATIONS .....	5
INSTRUMENTS AND CONTROLS .....	6
<b>XXB:</b>	
GENERAL LOCATIONS .....	13
INSTRUMENTS AND CONTROLS .....	14
OPERATING YOUR MACHINE .....	21
<b>MAINTENANCE</b>	
CHECK BEFORE STARTING .....	27
PERIODIC MAINTENANCE .....	35
PERIODIC REPLACEMENT OF	
CONSUMABLE PARTS .....	36
MAINTENANCE TABLE .....	37
<b>XXA:</b> .....	38
<b>XXB:</b> .....	40
REPLACEMENT AND CHECK .....	42
SERVICE DATA .....	61
<b>XXA:</b> .....	61
<b>XXB:</b> .....	65
LUBRICATION CHART .....	71
<b>XXA:</b> .....	71
<b>XXB:</b> .....	73
HANDLING MACHINE IN EXTREMELY	
HOT PLACE .....	76
COLD WEATHER OPERATION .....	77
STORAGE .....	79
FUEL AND LUBRICANTS .....	81
<b>XXA:</b> .....	81
<b>XXB:</b> .....	82
WIRING DIAGRAM .....	86
<b>XXA:</b> .....	86
<b>XXB:</b> .....	88

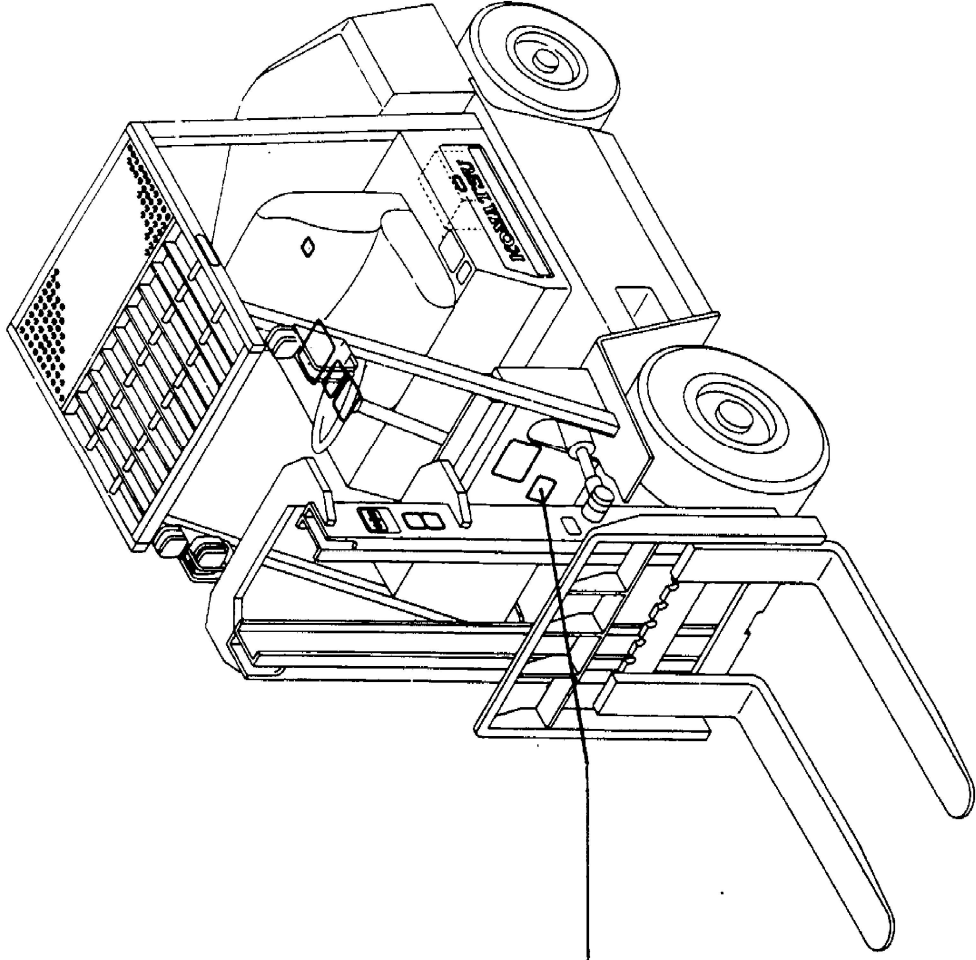
<b>XXA:</b>	FD10/14/15/18, FD15H/18H, FG10/14/15/18, FG10H/15H/18H, FG10S/15S/18S
<b>XXB:</b>	FD20/25/30, FD20H/25H/30H, FD20S/25S/30S, FG20/25/30, FG20H/25H/30H, FG20S/25S/30S

## BEFORE OPERATING FORKLIFT

Various caution plates are attached to the Komatsu forklift body.

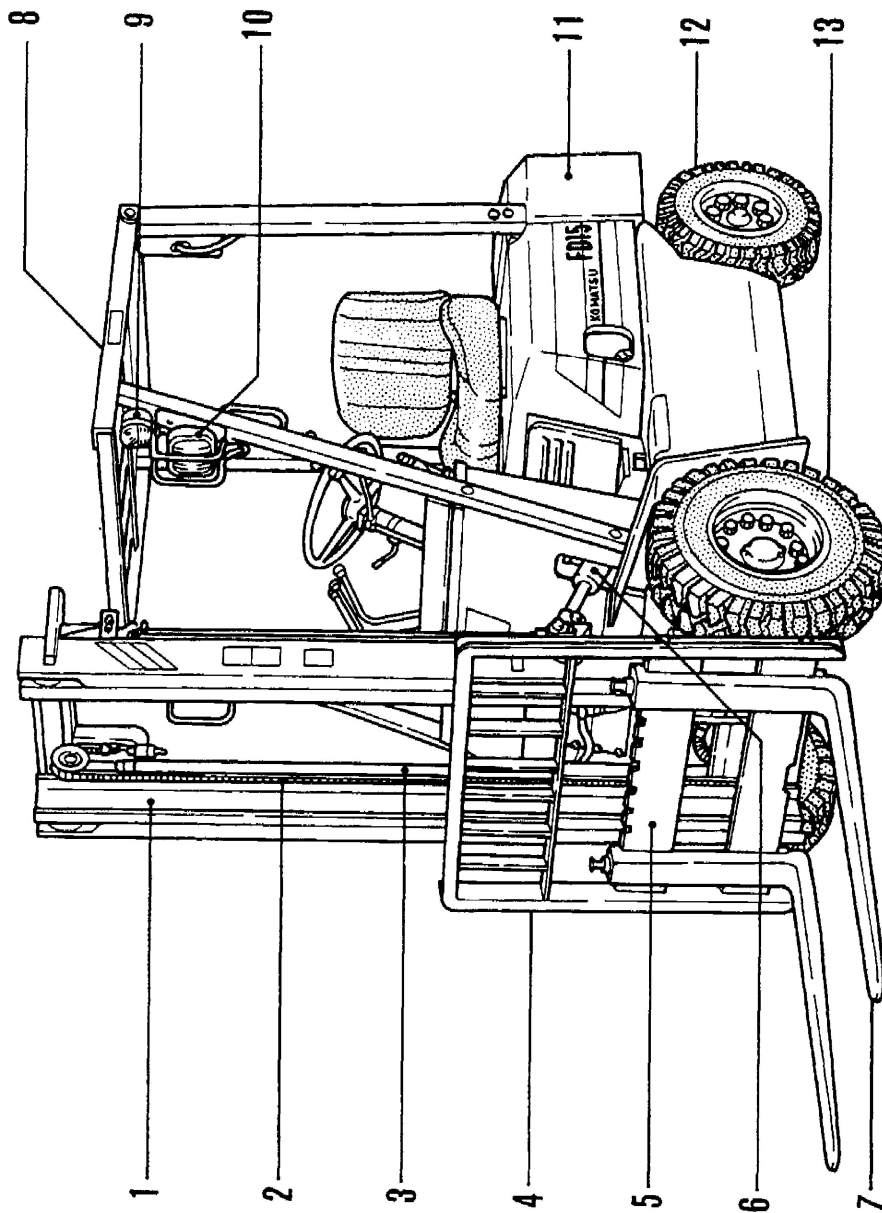
For safe operation and maintenance, please observe the instructions given on these caution plates, and also read through the Operation and Maintenance Manual, which includes chapters on operation and other general items.

When calling for a mechanic or when placing an order for replacement parts, inform your Komatsu distributor of engine and machine serial numbers.



# GENERAL LOCATIONS

● XXA



1. Mast
2. Lift chain
3. Lift cylinder
4. Backrest
5. Finger board
6. Tilt cylinder
7. Forks
8. Overhead guard
9. Turn signal lamp
10. Head lamp
11. Counterweight
12. Rear wheel
13. Front wheel

# INSTRUMENTS AND CONTROLS

1. Starting switch
2. Choke knob (Gasoline type)  
Idle adjusting knob (FD15H, 18H)
3. Heater signal (Diesel type)
4. Engine stop knob (Diesel type)  
Separator warning lamp (trucks with separator)
5. Fuel gauge
6. Battery charge warning lamp
7. Engine oil pressure warning lamp
8. Water temperature gauge
9. Hour meter
10. Speedometer (Option)
11. Torque converter oil temperature gauge (Option)
12. Forward-reverse lever (TORQFLOW type)
13. Forward-reverse lever (Clutch type)
14. High-low speed lever (Clutch type)
15. Parking brake lever
16. Horn button
17. Lamp switch
18. Turn signal switch
19. Fuse box
20. Accelerator pedal
21. Brake pedal
22. Clutch pedal (Clutch type)  
Inching pedal (TORQFLOW type)
23. Lift lever
24. Tilt lever

