

Page Title	Page Number
CYLINDER BLOCK (PERKINS GAS)	2
CRANKSHAFT, FLYWHEEL (PERKINS GAS)	4
CAMSHAFT, TIMING GEARS AND CASE (PERKINS GAS)	6
PISTONS, CONNECTING RODS AND BEARINGS (PERKINS GAS)	8
CYLINDER HEAD, COVER, VALVES, ROCKERSHAFT (PERKINS GAS)	10
OIL PAN, PUMP (PERKINS GAS)	12
OIL FILTER (PERKINS GAS)	14
ENGINE GASKET SETS (PERKINS GAS)	16
RADIATOR AND WATER PUMP (PERKINS GAS)	18
AIR CLEANER AND INTAKE MANIFOLD (PERKINS GAS)	22
MAINFOLD AND MUFFLER, HORIZONTAL EXHAUST (PERKINS GAS)	24
MUFFLER, VERTICAL EXHAUST (PERKINS GAS)	26
FUEL TANK AND LINES (PERKINS GAS)	28
THROTTLE, GOVERNOR AND CHOKE (PERKINS GAS)	30
THROTTLE, GOVERNOR AND CHOKE (PERKINS GAS)	32
GOVERNOR (PERKINS GAS)	34
CYLINDER BLOCK (GAS - DELUXE AND VINEYARD)	36
CRANKSHAFT, FLYWHEEL, CAMSHAFT, TIMING GEARS	38
PISTONS, SLEEVES, CONNECTING RODS	40
CYLINDER HEAD, VALVES (GAS - DELUXE AND VINEYARD)	42
OIL PUMP, PAN, FILTER (GAS - DELUXE AND VINEYARD)	44
ENGINE GASKET SETS (GAS - DELUXE AND VINEYARD)	46
RADIATOR, WATER PUMP (GAS - DELUXE AND VINEYARD)	48
CYLINDER BLOCK AND ATTACHING PARTS (GAS - SPECIAL)	50
CRANKSHAFT, FLYWHEEL, CAMSHAFT, TIMING GEARS	52
PISTONS AND RINGS, CONNECTING RODS AND BEARINGS	54
CYLINDER HEAD, VALVES (GAS - SPECIAL)	56
OIL PUMP, PAN, FILTER (GAS - SPECIAL)	58
ENGINE GASKET SETS (GAS - SPECIAL) (CONTINENTAL MOTORS)	60
RADIATOR, WATER PUMP (GAS - SPECIAL) (CONTINENTAL MOTORS)	62
AIR CLEANER, MANIFOLD, MUFFLER (GAS) (CONTINENTAL MOTORS)	64
AIR CLEANER, MANIFOLD, MUFFLER (GAS) (CONTINENTAL MOTORS)	66
FUEL TANK AND LINES (GAS) (CONTINENTAL MOTORS)	68
THROTTLE, GOVERNOR, CHOKE (GAS) (CONTINENTAL MOTORS)	70
THROTTLE, GOVERNOR, CHOKE (GAS) (CONTINENTAL MOTORS)	72
CYLINDER BLOCK (DIESEL)	74
CRANKSHAFT, FLYWHEEL (DIESEL)	76
TIMING GEARS, CAMSHAFT (DIESEL)	78
PISTONS AND RINGS, CONNECTING RODS AND BEARINGS (DIESEL)	80
CYLINDER HEAD, VALVES (DIESEL)	82
OIL PAN, PUMP (DIESEL)	84
OIL FILTER (DIESEL) (USED LATE PRODUCTION MACHINES)	86
OIL FILTER (DIESEL) (USED EARLY PRODUCTION MACHINES)	88
ENGINE GASKET SETS (DIESEL)	90
WATER PUMP, RADIATOR (DIESEL)	92
AIR CLEANER, MANIFOLD, MUFFLER (DIESEL)	94
AIR CLEANER, MANIFOLD, MUFFLER (DIESEL)	98
MUFFLER AND VERTICAL EXHAUST (DIESEL)	96
FUEL TANK (DIESEL)	100
FUEL PUMP (DIESEL)	102

TABLE OF CONTENT

FUEL LINES (DIESEL)	104
FUEL LINES (DIESEL)	106
FUEL FILTER (DIESEL)	108
THROTTLE AND FUEL SHUT-OFF (DIESEL)	110
INJECTION PUMP AND LINES (DIESEL)	112
FUEL INJECTION PUMP (DIESEL)	114
FUEL INJECTION PUMP (DIESEL)	116
ALTERNATOR (GAS AND DIESEL) (PERKINS) SEE NOTE "A"	118
GENERATOR (GAS - DELUXE AND VINEYARD)	120
GENERATOR (GAS - SPECIAL) (CONTINENTAL MOTORS)	122
GENERATOR (GAS) (CONTINENTAL MOTORS) (SEE NOTE "A")	124
GENERATOR (DIESEL) (PERKINS)	126
STARTER (GAS) (PERKINS)	128
STARTER (GAS) (CONTINENTAL MOTORS)	130
STARTER (DIESEL) (PERKINS) (USED LATE PRODUCTION MACHINES)	132
STARTER (DIESEL) (PERKINS)	134
STARTER SOLENOID (GAS AND DIESEL)	136
DISTRIBUTOR (GAS) (PERKINS)	138
DISTRIBUTOR (GAS - DELUXE AND VINEYARD) (CONTINENTAL MOTORS)	140
DISTRIBUTOR (GAS - SPECIAL) (CONTINENTAL MOTORS)	142
CARBURETOR (GAS) (PERKINS)	144
CARBURETOR (GAS) (CONTINENTAL MOTORS)	146
INSTRUMENT PANEL AND INSTRUMENTS (PERKINS GAS)	148
INSTRUMENT PANEL AND INSTRUMENTS (GAS)	150
INSTRUMENT PANEL AND INSTRUMENTS (DIESEL)	152
BATTERY AND WIRING (PERKINS GAS)	154
BATTERY AND WIRING (GAS)	158
BATTERY AND WIRING (GAS) (USED EARLY PRODUCTION TRACTORS)	160
BATTERY AND WIRING (DIESEL)	162
BATTERY AND WIRING (DIESEL)	164
LIGHTING EQUIPMENT (FLAT TOP FENDERS)	166
LIGHTING EQUIPMENT (FLAT TOP FENDERS)	168
LIGHTING EQUIPMENT	172
LIGHTING EQUIPMENT	174
LIGHTING EQUIPMENT (DELUXE - GAS AND DIESEL)	178
LIGHTING EQUIPMENT (GAS - DELUXE)	180
LIGHTING EQUIPMENT (DIESEL)	182
WARNING LAMP	184
FRONT AXLE AND SUPPORT (DELUXE AND SPECIAL)	186
FRONT AXLE AND SUPPORT (VINEYARD - STRAIGHT AXLE)	188
FRONT AXLE AND SUPPORT (VINEYARD - SWEEP BACK AXLE)	190
FRONT AXLE AND SUPPORT, DRAG LINK (ORCHARD)	192
STEERING GEAR (MANUAL) (DELUXE, SPECIAL)	194
STEERING GEAR (HYDRAULIC POWER) (DELUXE AND VINEYARD)	196
STEERING GEAR (HYDRAULIC POWER) (ORCHARD)	200
DRAG LINKS (DELUXE AND SPECIAL)	202
DRAG LINKS (VINEYARD)	204
PUMP, POWER STEERING (GAS - DELUXE AND VINEYARD)	206
PUMP, POWER STEERING (GAS - DELUXE AND VINEYARD)	208
POWER STEERING PUMP	210
PUMP, POWER STEERING (GAS AND DIESEL - DELUXE AND VINEYARD)	212
PUMP, POWER STEERING (GAS AND DIESEL - DELUXE AND VINEYARD)	214

PUMP, POWER STEERING (ORCHARD)	216
TRANSMISSION	218
TRANSMISSION	222
TRANSMISSION	224
TRANSMISSION SIX SPEED, SINGLE CLUTCH	220
TRANSMISSION SIX SPEED, DUAL CLUTCH	226
TRANSMISSION (8 SPEED) (USED LATE PRODUCTION TRACTORS)	228
TRANSMISSION (8 SPEED W/SLAVE RAIL)	232
TRANSMISSION, MULTI-POWER	234
TRANSMISSION, MULTI-POWER	238
TRANSMISSION, MULTI-POWER	242
TRANSMISSION, MULTI-POWER	246
GEAR SHIFT (6 SPEED AND MULTI-POWER)	250
GEAR SHIFT (8 SPEED W/INTEGRAL RAIL)	252
GEAR SHIFT (8 SPEED)	254
PUMP, VALVE, MULTI-POWER CONTROL (LIVE P.T.O.)	256
PUMP, VALVE, MULTI-POWER CONTROL (LIVE P.T.O.)	258
PUMP, VALVE, MULTI-POWER CONTROL (INDEPENDENT P.T.O.)	260
PUMP, VALVE, MULTI-POWER CONTROL (INDEPENDENT P.T.O.)	262
HYDRAULIC PUMP - 6 AND 8 SPEED TRANSMISSION	264
HYDRAULIC PUMP - 6 AND 8 SPEED TRANSMISSION	266
HYDRAULIC PUMP (USED REAR AXLE SERIAL NUMBER CX-5051 AND UP)	268
HYDRAULIC PUMP	270
SHIFT, MULTI-POWER	272
SHIFT, MULTI-POWER	274
TRANSMISSION CASE, CLUTCH PEDAL	276
CLUTCH (DUAL LIVE P.T.O.)	278
CLUTCH (DUAL LIVE P.T.O.)	279A
CLUTCH SPLIT TORQUE CLUTCH (USED INDEPENDENT P.T.O.)	280
CLUTCH AND VALVE, INDEPENDENT P.T.O.	282
CLUTCH AND VALVE, INDEPENDENT P.T.O.	284
REAR AXLE AND HOUSING W/O DIFFERENTIAL LOCK	286
REAR AXLE AND HOUSING W/ DIFFERENTIAL LOCK	288
REAR AXLE AND HOUSING W/DIFFERENTIAL LOCK VINEYARD	290
REAR AXLE AND HOUSING (ORCHARD)	292
REAR AXLE (ORCHARD)	294
DIFFERENTIAL WITHOUT LOCK (SEE NOTE "A")	296
DIFFERENTIAL WITHOUT LOCK (SEE NOTE ""A"") - DIFFERENTIAL WITHOUT LOCK (SEE NOTE "A")	298
DIFFERENTIAL WITHOUT LOCK (USED EARLY PRODUCTION TRACTORS)	300
DIFFERENTIAL WITH LOCK	302
DIFFERENTIAL WITH LOCK (SEE NOTE "A")	304
DIFFERENTIAL WITH LOCK (USED EARLY PRODUCTION TRACTORS)	306
DIFFERENTIAL (CAST IRON AXLE) (ORCHARD)	308
DIFFERENTIAL (MALLEABLE AXLE) (ORCHARD)	310
DIFFERENTIAL LOCK	312
DIFFERENTIAL LOCK (ORCHARD) (MALLEABLE AXLE)	314
DIFFERENTIAL HOUSING	316
DIFFERENTIAL HOUSING (SERVICE ONLY, SEE NOTE "A")	318
BRAKES (DELUXE, SPECIAL, VINEYARD)	320
BRAKES (ORCHARD) (CAST IRON AXLES)	324
DISC BRAKES (ORCHARD) (MALLEABLE AXLE)	326

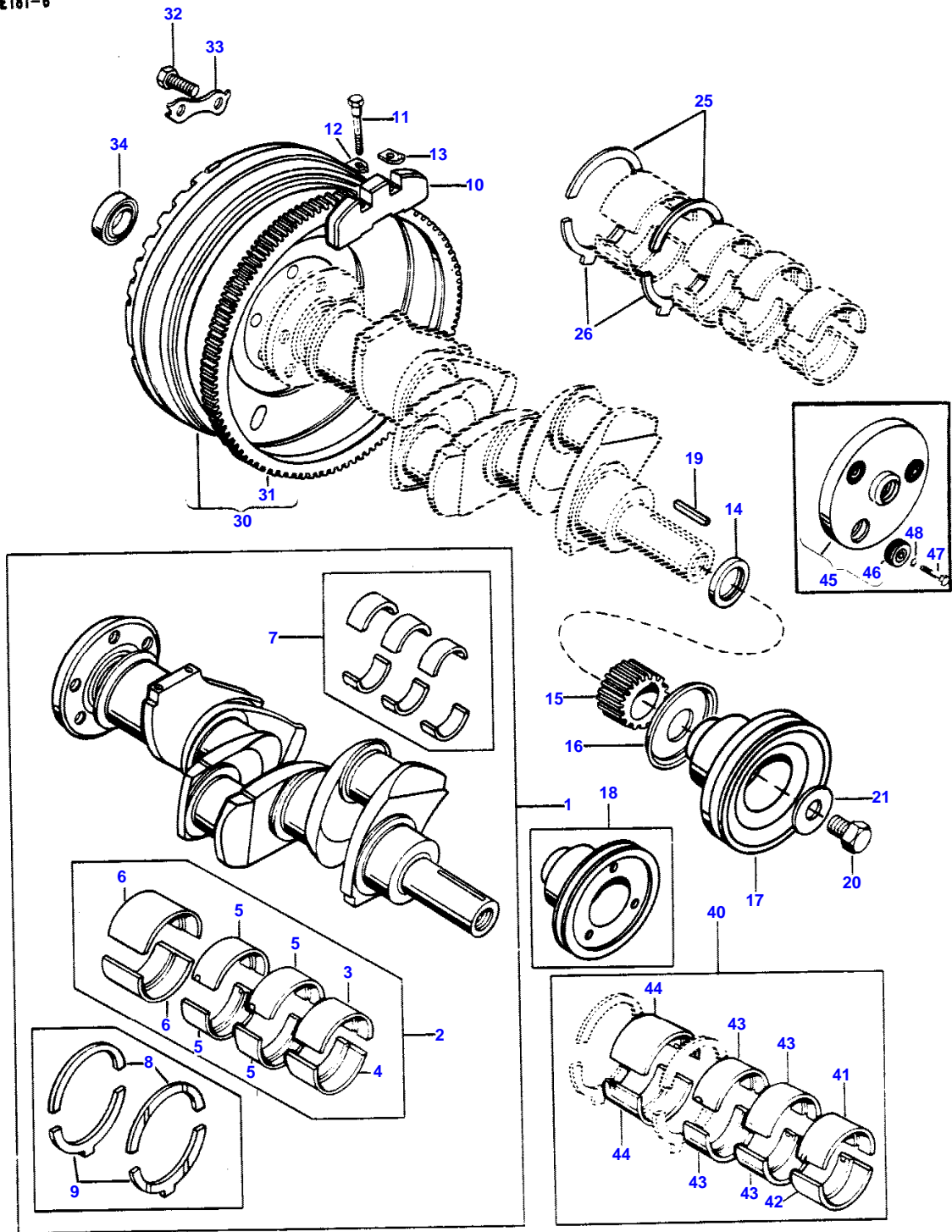
WHEELS (DELUXE, SPECIAL, AND ORCHARD)	328
WHEELS (DELUXE AND SPECIAL)	330
WHEELS (VINEYARD)	332
SEAT (DELUXE AND VINEYARD MODELS)	334
SEAT (SPRING SUSPENSION)	335A
SEAT SPRING SUSPENSION	336
SEAT SPRING SUSPENSION	338
STEP PLATES, FENDERS (FLAT TOP FENDERS)	340
FENDERS (DISHED TYPE) (DELUXE AND SPECIAL)	342
FENDERS (DISHED TYPE) (VINEYARD)	344
HOOD CAP, HOOD AND GRILLE (SEE NOTE "A")	346
HOOD AND GRILLE PERKINS GAS AND DIESEL W/PLASTIC HOOD CAP	348
HOOD AND GRILLE PERKINS GAS AND DIESEL W/METAL HOOD CAP	350
HOOD AND GRILLE CONTINENTAL GAS W/PLASTIC HOOD CAP	352
HOOD AND GRILLE CONTINENTAL GAS W/METAL HOOD CAP	354
DECALS	356
POWER TAKE-OFF (LIVE P.T.O.)	358
POWER TAKE-OFF (INDEPENDENT P.T.O.)	360
PRESSURE CONTROL HITCH (BOOM AND CHAIN TYPE)	362
HYDRAULIC LIFT PUMP (WITHOUT PRESSURE CONTROL)	364
HYDRAULIC LIFT PUMP (WITHOUT PRESSURE CONTROL) (ORCHARD)	368
HYDRAULIC LIFT PUMP (WITH PRESSURE CONTROL)	370
HYDRAULIC LIFT PUMP (WITH PRESSURE CONTROL)	372
HYDRAULIC LIFT PUMP (USED LATE PRODUCTION MACHINES)	375A
HYDRAULIC LIFT PUMP	375C
HYDRAULIC LIFT PUMP WITHOUT PRESSURE CONTROL	376
HYDRAULIC LIFT PUMP WITHOUT PRESSURE CONTROL	378
HYDRAULIC LIFT PUMP (NEVER USED IN PRODUCTION, SERVICE ONLY)	379A
HYDRAULIC LIFT PUMP (NEVER USED IN PRODUCTION, SERVICE ONLY)	379C
HYDRAULIC LIFT PUMP (NEVER USED IN PRODUCTION, SERVICE ONLY)	380
HYDRAULIC LIFT PUMP (NEVER USED IN PRODUCTION, SERVICE ONLY)	382
HYDRAULIC LINKAGE	384
HYDRAULIC LINKAGE	386
UPPER LIFT LINKAGE (ORCHARD)	388
CENTER LIFT LINKAGE (ORCHARD)	390
HYDRAULIC LINKAGE (ORCHARD)	392
HYDRAULIC LINKAGE (VINEYARD)	394
HYDRAULIC LIFT COVER	396
HYDRAULIC LIFT COVER	398
HYDRAULIC LIFT CONTROLS W/O PRESSURE CONTROL	400
HYDRAULIC LIFT CONTROLS W/O PRESSURE CONTROL (VINEYARD)	402
HYDRAULIC LIFT CONTROLS W/PRESSURE CONTROL (DELUXE)	404
DRAFT RESPONSE CONTROL	406
PRESSURE CONTROL VALVE	408
PRESSURE CONTROL VALVE (SEE NOTE)	410
HYDRAULIC LIFT SHAFT AND CYLINDER	412
HYDRAULIC LIFT SHAFT AND CYLINDER W/3" DIAMETER CYLINDER	414
HYDRAULIC LIFT SHAFT AND CYLINDER W/PRESSURE CONTROL	416
PAINT, OIL, THREAD ADHESIVE	418
ACCESSORIES (SPECIAL FOR STATE OF MISSOURI)	420

135 TRACTOR

4

CRANKSHAFT, FLYWHEEL

BE181-6



75-1

603 100 207 (Issue 2) 11 71

CRANKSHAFT, FLYWHEEL (PERKINS GAS)

Item	Part Number	Qty	Description
1	736532M91	1	Crankshaft Kit (Perkins No. 84402)
2	732630M91	1	Insert Set, Main Bearing, (Std.) (Perkins No. 58703)
3	732432M1	1	Insert, Main Bearing, Front Top (Standard) (Perkins No. 31122321)
4	732431M1	1	Insert, Main Bearing, Front Bottom (Standard) (Perkins No. 31122311)
5	732430M1	4	Insert, Main Bearing, Intermediate (Standard) (Perkins No. 31121221)
6	733040M1	2	Insert, Main Bearing, Rear Top And Bottom (Standard) (Perkins No. 31123271)
7	737070M91	1	Insert Set (Standard) Connecting Rod Bearing (Perkins No. 85036)
8	734616M1	2	Washer, Thrust, Rear Main Top (Standard) (Perkins No. 31137191)
9	734615M1	2	Washer, Thrust, Rear Main Bottom (Standard) (Perkins No. 31137201)
10	731225M1	1	Weight (Balance) (Perkins No. 0995415)
11	353570X1	4	Bolt (7/16 X 2-3/8" NF, Hex.) (Perkins No. 2185189)
12	733644M1	2	Washer (Special) (Perkins No. 31731515)
13	733645M1	2	Washer (Special) (Perkins No. 31731516)
14	731227M1	1	Spacer (Perkins No. 0330811)
15	731228M1	1	Gear, Crankshaft (Perkins No. 0410132)
16	733505M1	1	Flange, Oil Thrower (Perkins No. 33176308)
17	738722M1	1	(A) Pulley (W/Timing Marks) (W/O 3 Taped Holes) (Perkins No. 31143941)
18	734627M1	1	(B) Pulley (Perkins No. 31143733)
17	738730M1	1	(C) Pulley (W/Timing Marks) (W/3 Taped Holes) (Perkins No. 31147831)
18	734628M1	1	(D) Pulley, Crankshaft (Perkins No. 31147784)
19	731076M1	1	Key, Pulley (Perkins No. 36271704)
20	375835X1	1	Bolt, Crankshaft Pulley (Perkins No. 0745138)
21	731376M1	1	Washer
25	734830M1	AR	Washer, Thrust, Rear Main Bearing (.007" Oversize) (Perkins No. 31137192)
26	734829M1	AR	Washer, Thrust, Rear Main Bearing (.007" Oversize) (Perkins No. 31137202)
30	734861M91	1	(E) Flywheel Assembly (Perkins No. 0999961)
	737262M91	1	(F) Flywheel Assembly (Incl. Item 31) (Perkins No. 41112409)
	513570M91	1	(G) Flywheel Assembly (Perkins No. 41112353)
	737126M91	1	(H) Flywheel Assembly (Incl. Item 31) (Perkins No. 41112416)
	737124M91	1	(J) Flywheel Assembly (Incl. Item 31) (Perkins No. 41112414)
31	731008M1	1	Gear, Ring (Perkins No. 0410236)
32	353593X1	6	Bolt (1/2 X 1-1/4" NF, Hex.) (Perkins No. 32162203)
33	731192M1	3	Tab Washer (Perkins No. 0921062)
34	832960M3	1	Bearing, Ball
40	732631M91	AR	Insert Set, Main Bearing (-.010") (Perkins No. 58703A)
41	732619M1	1	Insert, Main, Bearing, Front Top (-.010") (Perkins No. 31122322)
42	732615M1	1	Insert, Main Bearing, Front Bottom (-.010") (Perkins No. 31122312)
43	732611M1	4	Insert, Main Bearing, Center (-.010) (Perkins No. 31121222)
44	733566M1	2	Insert, Main Bearing, Rear (-.010") (Perkins No. 31123272)
40	732632M91	AR	Insert Set, Main Bearing (-.020") (Perkins No. 58703B)
41	732620M1	1	Insert, Main Bearing, Front Top (-.020") (Perkins No. 31122323)
42	732616M1	1	Insert, Main Bearing, Front Bottom (-.020") (Perkins No. 31122313)
43	732612M1	4	Insert, Main Bearing, Center (-.020") (Perkins No. 31121223)
44	733568M1	2	Insert, Main Bearing, Rear (-.020") (Perkins No. 31123273)
40	732633M91	AR	Insert Set, Main Bearing (-.030") (Perkins No. 58703C)
41	732621M1	1	Insert, Main Bearing, Front Top (-.030") (Perkins No. 31122324)
42	732617M1	1	Insert, Main Bearing, Front Bottom (-.030") (Perkins No. 31122314)
43	732613M1	4	Insert, Main Bearing, Center (-.030") (Perkins No. 31121224)
44	733587M1	2	Insert, Main Bearing, Rear (-.030") (Perkins No. 31123274)
45	704812M93	1	Adapter Assembly, Pump
46	1400022M91	1	Bushing Assembly
47	353693X1	3	Bolt (3/8 X 1-1/4" NC, Hex.)
48	22764X	3	Washer (3/8" Int. Skpf.)

(A) - Used Engine Serial Number

152UA25587A And Up.

(B) - Used Prior To Engine Serial Number

152UA25587A.

(C) - Used Orchard Tractor, Engine

Serial Number 152UA25587A And Up.

(D) - Used Orchard Tractor, Prior To

Engine Serial Number 152UA25587A.

(E) - Used Deluxe With Live P.T.O. And

Orchard Engine Serial Number 152UA25587A

And Up.

(F) - Used Deluxe With Live P.T.O. And

CRANKSHAFT, FLYWHEEL (PERKINS GAS)

Item	Part Number	Qty	Description
			Orchard, Prior To Engine Serial Number 152UA25587A.
			(G) - Used Deluxe And Vineyard With Independent P.T.O., Also MF135 Special Tractor Engine Serial Number 152UA25587A And Up.
			(H) - Used Deluxe And Vineyard With Independent P.T.O., Also MF135 Special Tractor, Prior To Engine Serial Number 152UA25587A.
			(J) - Used MF135 Special Prior To Tractor Serial Number 9A65874.

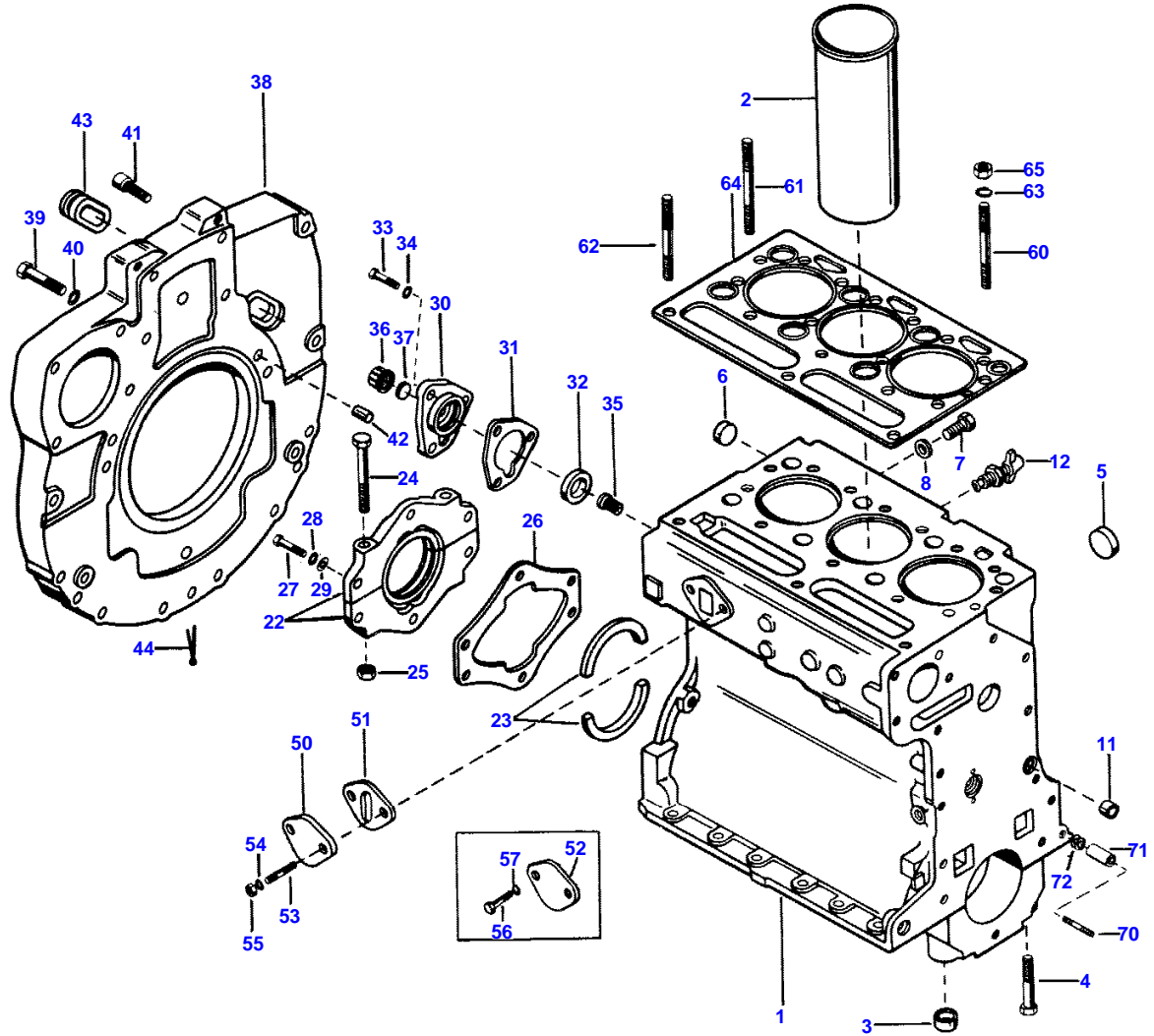
135 TRACTOR

2

CYLINDER BLOCK

BE 180-10

Y



1st Print

651 199 M97 (Issue 1) 8/73

CYLINDER BLOCK (PERKINS GAS)

Item	Part Number	Qty	Description
	516107M92	1	(A) Engine Assembly (Complete) (Perkins No. AG315220726)
	516106M92	1	(B) Engine Assembly (Complete) (Perkins No. AG315220727)
	516671M92	1	(C) Engine Assembly (Complete) (Perkins No. AG315220725)
	520358M91	1	(D) Engine Assembly (Complete) (Perkins No. AG315220815)
	1896083M91	1	Block Assembly, Short (Incl. Liner, Crankshaft and Bearings. Connecting Rod And Bearings. Pistons And Piston Rings)
1	737422M91	1	Block Assembly, Stripped (Perkins No.86272)
2	734175M1	3	Liner, Cylinder Block (Perkins No. 31358322)
3	731022M1	8	Pin (19/32 X 3/4 X 3/8" Dowel) (Perkins No. 0870001)
4	1476021X1	8	Bolt, Bearing Cap (9 16 x 3-7/8" NF, Hex.) (Perkins No. 3218433)
5	735865M1	5	Plug (1-1/4" Cup Type) (Perkins No. 0650563)
6	731999M1	1	Plug (5/764" Cup Type) (Perkins No. 0650664)
7	353514X1	2	Bolt (5/16 X 3/8" NF, Hex.) (Perkins No. 0746251)
8	732575M1	2	Washer (5/16 X 9/16 X 1/16" Aluminum) (Perkins No. 2411152)
	736613M1	1	Plug (1/2" NF, Phillips Head) (Perkins No. 32114471)
	735865M1	3	Plug (1-1/4" Cup Type) (Perkins No. 0650710)
11	731356M1	2	Plug (11/16" Cup Type) (Perkins No. 0650566)
12	1851764M1	1	Drain, Cylinder Block (Perkins No. 31419)
22	740235M91	1	Housing Assembly, Rear Oil Seal (Perkins No. 41422034)
23	735866M1	2	Seal, Oil, Crankshaft, Rear (Perkins No. 36883106)
24	354499X1	2	Bolt (5/16 X 3-3/4" NF, Hex.) (Perkins No. 0096243)
25	376096X1	2	Nut (5/16" NF, Hex., Special) (Perkins No. 0574211)
26	734664M1	1	Gasket, Oil Seal Housing (Perkins No. 36817134)
27	375733X1	6	Bolt, Housing (5/16 x 11/16: NF, Hex.) (Perkins No. 0746354)
28	22756X	6	Washer (5/16" Internal Skpf.) (Perkins No. 0920299)
29	734638M1	6	Washer (21/64 X 5/8 X 3/32") (Perkins No. 33114118)
30	731208M1	1	Housing, Tractormeter Drive (Perkins No. 37416751)
31	731209M1	1	Gasket, Housing (Perkins No. 36862511)
32	636762M1	1	Seal, Housing To Block (7/8 X 1-3/8 X 1/4") (Perkins No. 30854)
33	353517X1	3	Bolt (5/16 X 3/4" NF, Hex.) (Perkins No. 0746254)
34	22756X	3	Washer (5/16" Internal Skpf.) (Perkins No. 0920299)
35	735889M1	1	Connector, Drive (Perkins No. 33473106)
36	736091M1	1	Cap, Dust (Perkins No. 32813106)
37	890309M1	1	Washer, Seal (Perkins No. 32811104)
38	733594M1	1	Plate, Transmission Housing Adapter (Perkins No. 37147802)
39	353538X1	6	Bolt (3/8 X 1" NF, Hex.) (Perkins No. 0746454)
40	353434X1	6	Washer (3/8" Lock) (Perkins No. 0920054)
41	358005X1	2	Bolt (3/8 X 1" NF, Sckt. Hd.) (Perkins No. 0720798)
42	1260A	2	Dowel, Adapter Plate To Cylinder Block (3/8 x 3/4") (Perkins No. 0350016)
43	732902M1	1	Grommet, Rubber (Perkins No. 37813113)
44	354074X1	1	Pin (3/16 X 3/4" Cotter) (Perkins No. 0610045)
50	739408M1	1	Plate, Cover, Fuel Pump Hole (Perkins No. 36232114)
51	737079M1	1	(E) Gasket, Fuel Pump To Block (Perkins No. 36862165)
52	734586M1	1	(F) Gasket, Cover Plate (Order 737079M1) (Perkins No. 36861109)
53	731311M1	2	(E) Stud (5/16" NF X 1-1/16") (Perkins No. 0826203)
54	353446X1	2	(E) Washer (5/16" Lock) (Perkins No. 0920053)
55	353916X1	2	(E) Nut (5/16" NF, Hex.) (Perkins No. 0576002)
56	353516X1	2	(F) Bolt (5/16 X 5/8" NF, Hex.) (Perkins No. 0746253)
57	732575M1	2	(F) Washer (Perkins No. 2411152)
60	734266M1	3	Stud (7/16 NF X 4-1/8") (Perkins No. 32524131)
61	734309M1	14	Stud (7/16 NF X 4-5/16") (Perkins No. 32524133)
62	736976M1	1	Stud (7/16" NF X 4-1/2") (Perkins No. 32524138)
63	1440275X1	1	Washer (7/16 X 7/8 X 3/32") (Perkins No. 0920006)
64	735018M2	1	Gasket, Cylinder Head (Perkins No. 36812127)
65	353426X1	18	Nut (7/16" NF, Hex.) (Perkins No. 33221315)
70	737795M1	1	(D) Stud (Perkins No. 32526508)
71	366270X1	1	(D) Spacer (21/32 X 1-1/4 X 3-1/8") (Perkins No. 33266125)
72	377127X1	AR	(D) Shim (21/32 X 1-1/4 X .036") (Perkins No. 33121417)
	365691X1	AR	(D) Shim (21/32 X 1-1/4 X .010") (Perkins No. 33121416)
	365690X1	AR	(D) Shim (21/32 X 1-1/4 X .005") (Perkins No. 0760050)
	377126X1	AR	(D) Shim (21/32 X 1-1/4 X .002") (Perkins No. 33121415)

 (A) - Used Deluxe With Live P.T.O.

(B) - Used Deluxe And Vineyard With
 Independent P.T.O., Also Used MF135
 Special Tractor Ser. No. 9A65874 And Up.

CYLINDER BLOCK (PERKINS GAS)

Item	Part Number	Qty	Description
			(C) - Used MF135 Special Prior To Tractor Ser. No. 9A65874.
			(D) - Used Orchard Only.
			(E) - Used Engine Ser. No. 152UA2227 And Up.
			(F) - Used Prior To Engine Ser. No. 152UA2227.